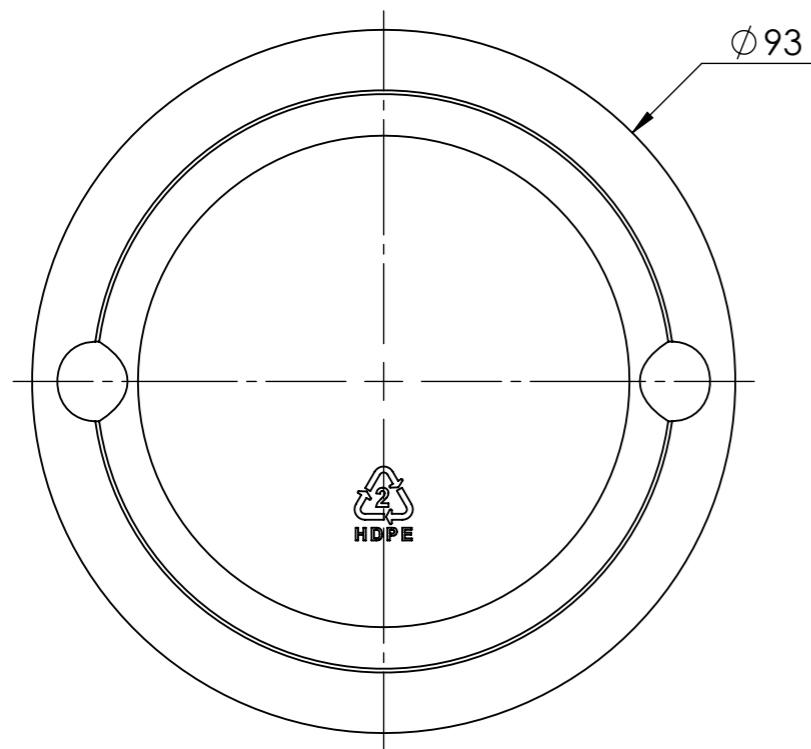



SECTION A-A



CHANGE DETAILS			DATE	BY	ISSUE
FINISH:	MATERIAL: <b>HDPE</b>	DRAWN <i>George.K</i> www.cadcamservices.com.au			
<b>COPYRIGHT</b> <small>THIS DRAWING IS CONFIDENTIAL AND MUST NOT BE COPIED OR DISCLOSED IN PART OR FULL WITHOUT CONSENT</small>		CHECKED			
PROJECTION  3rd ANGLE	TOLERANCES <small>LINER</small> X $\pm 0.25$ X.X $\pm 0.1$ X.XX $\pm 0.05$ <small>ANGULAR</small> $\pm 1$ DEG	<b>Brimful - 422ml approx</b>	TITLE: <b>300 ML - JAR</b>		
WEIGHT: <b>28.0 grams est</b>	SCALE: 1:1	A3	DWG NO.		