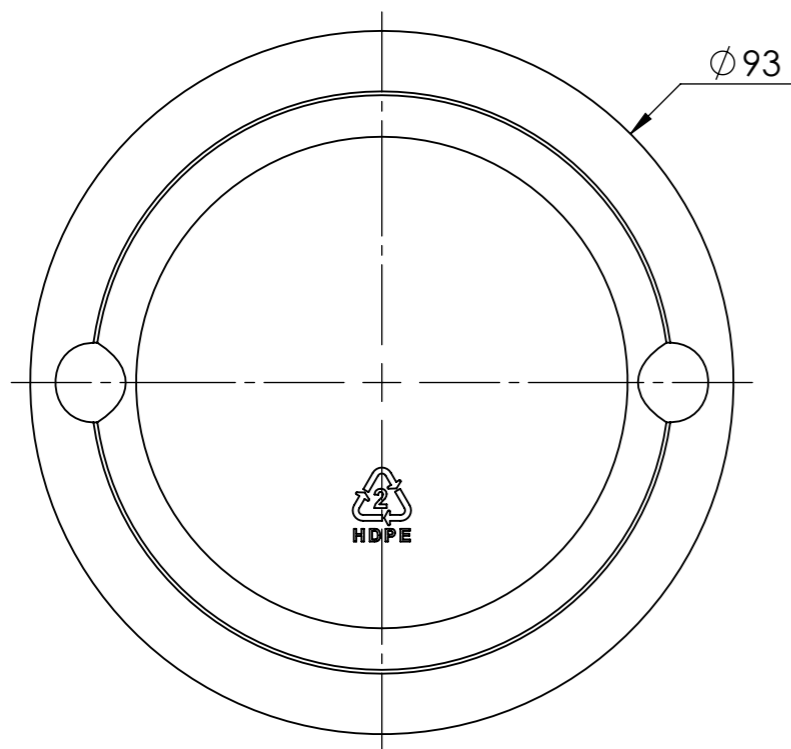


SECTION A-A



CHANGE DETAILS			DATE	BY	ISSUE
ALL DIMENSIONS IN mm			<b>ELLAPACK Pty Ltd</b> Blow Moulders of Plastic Containers and Technical Parts		
FINISH:	MATERIAL: <b>HDPE</b>	DRAWN: <i>George.K</i> www.cadcamservices.com.au			
<b>COPYRIGHT</b> THIS DRAWING IS CONFIDENTIAL AND MUST NOT BE COPIED OR DISCLOSED IN PART OR FULL WITHOUT CONSENT			CHECKED:	DATE: 24/02/26	
			PROJECTION: 3rd ANGLE	TOLERANCES: LINER: X ± 0.25, X.X ± 0.1, X.XX ± 0.05 ANGULAR: ± 1 DEG	
Brimful - 627ml approx			WEIGHT: <b>38.0 grams est</b>	SCALE: 1:1	A3
			DWG NO.		