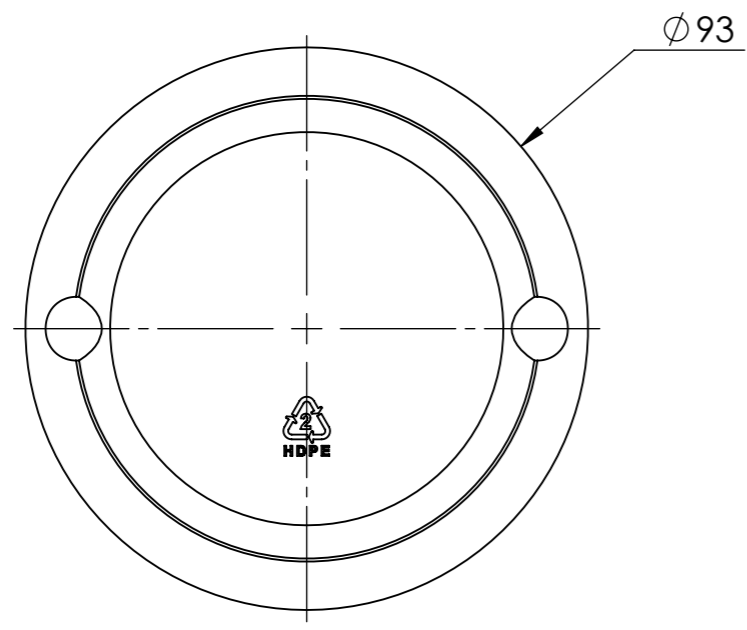


SECTION A-A



| CHANGE DETAILS | | | DATE | BY | ISSUE |
|--|--------------------------|--|--|---|-------|
| ALL DIMENSIONS IN mm | | | ELLAPACK Pty Ltd Blow Moulders of Plastic Containers and Technical Parts | | |
| FINISH: | MATERIAL: HDPE | DRAWN: <i>George.K</i> www.cadcamservices.com.au | | | |
| COPYRIGHT THIS DRAWING IS CONFIDENTIAL AND MUST NOT BE COPIED OR DISCLOSED IN PART OR FULL WITHOUT CONSENT | | | CHECKED: | DATE: 07/04/26 | |
| | | | PROJECTION: 3rd ANGLE | TOLERANCES: LINIER: X ± 0.25 X.X ± 0.1 X.XX ± 0.05 ANGULAR: ± 1 DEG | |
| Brimful - 990ml approx | | | WEIGHT: 60 - grams est | SCALE: 1:1 | A3 |
| | | | DWG NO. | | |